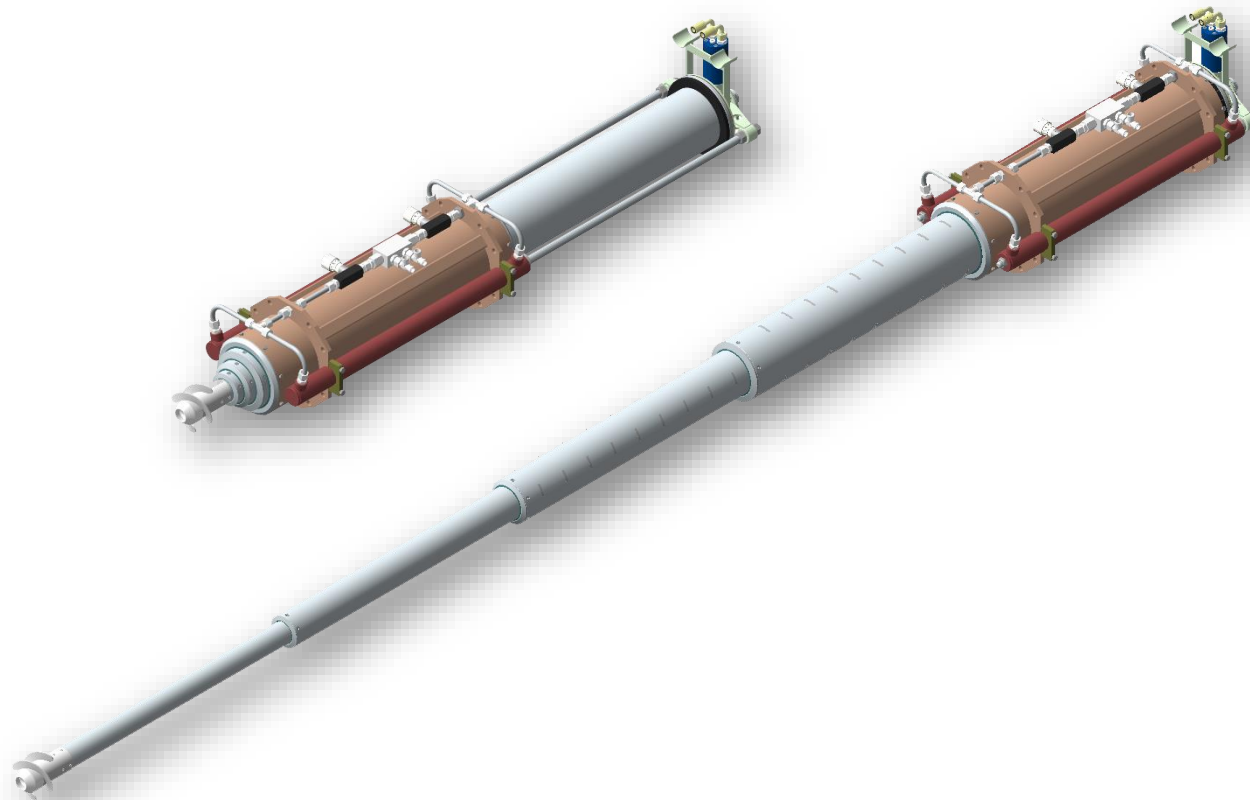
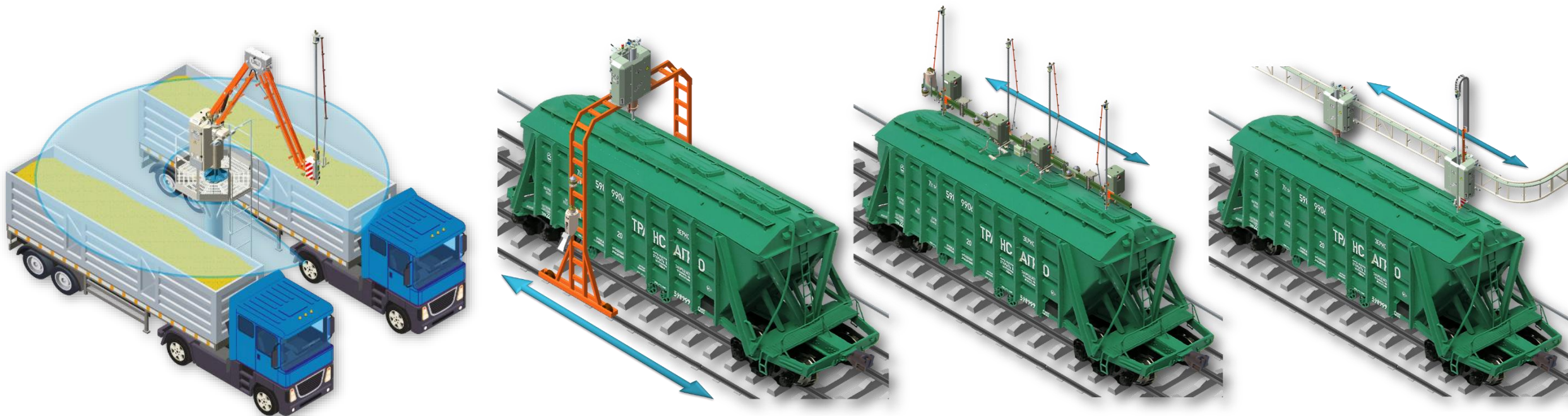


TELESCOPIC PROBE



The telescopic probe is intended for use as a part of mobile blocks of automobile and railway grain sampling systems, produced by INNOVINNPROM company



INNOVINNPROM sampling systems are designed for sampling of grain crops from car bodies and railway hopper cars and their subsequent transportation to laboratories for analysis.

Transportation of samples is carried out by pneumatic transport.

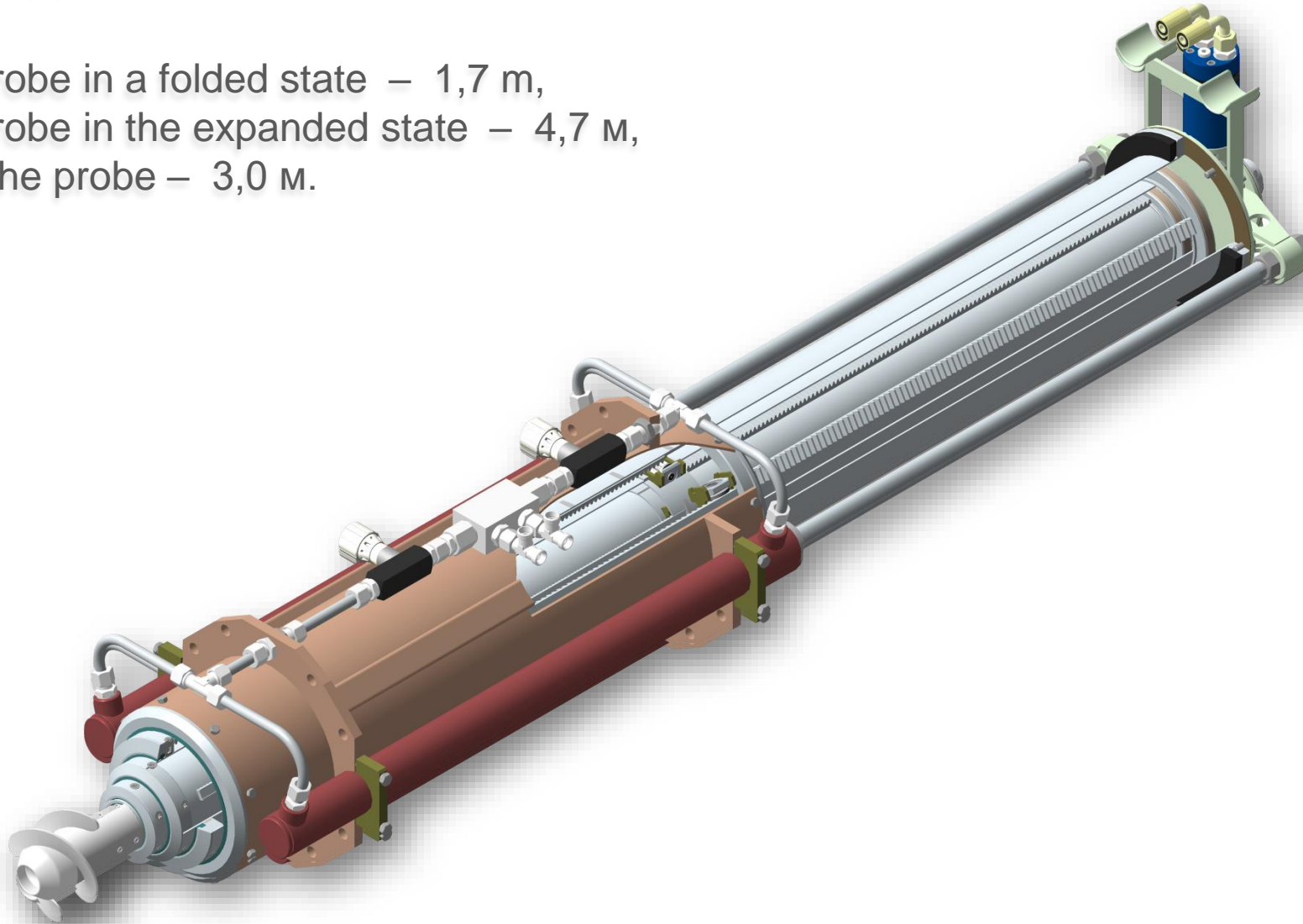
All sampling operations are automated.

MAIN CHARACTERISTICS:

✓ dimensions:

dimensions of the probe in a folded state – 1,7 m,
dimensions of the probe in the expanded state – 4,7 m,
operating stroke of the probe – 3,0 m.

✓ rotating drill

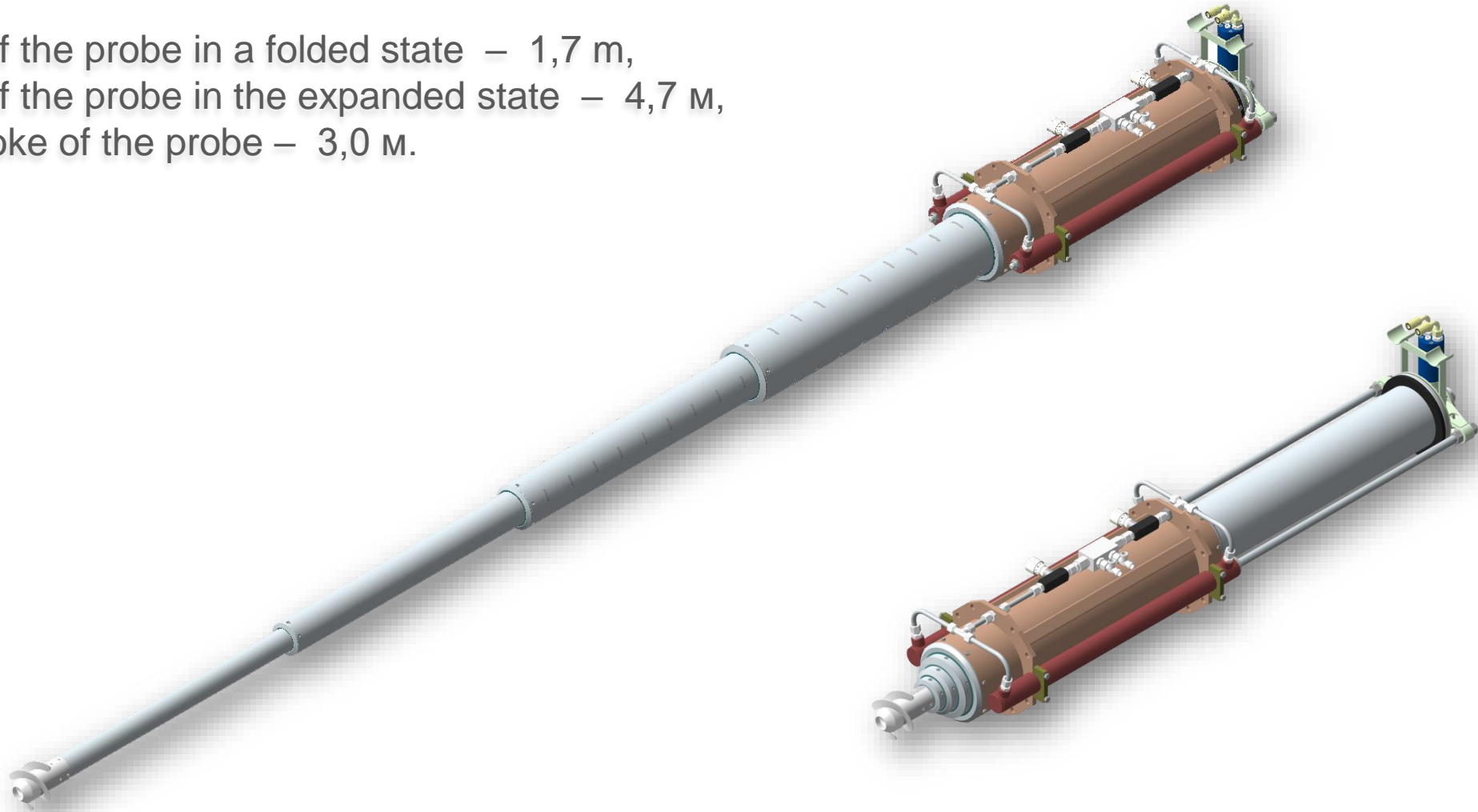


MAIN CHARACTERISTICS:

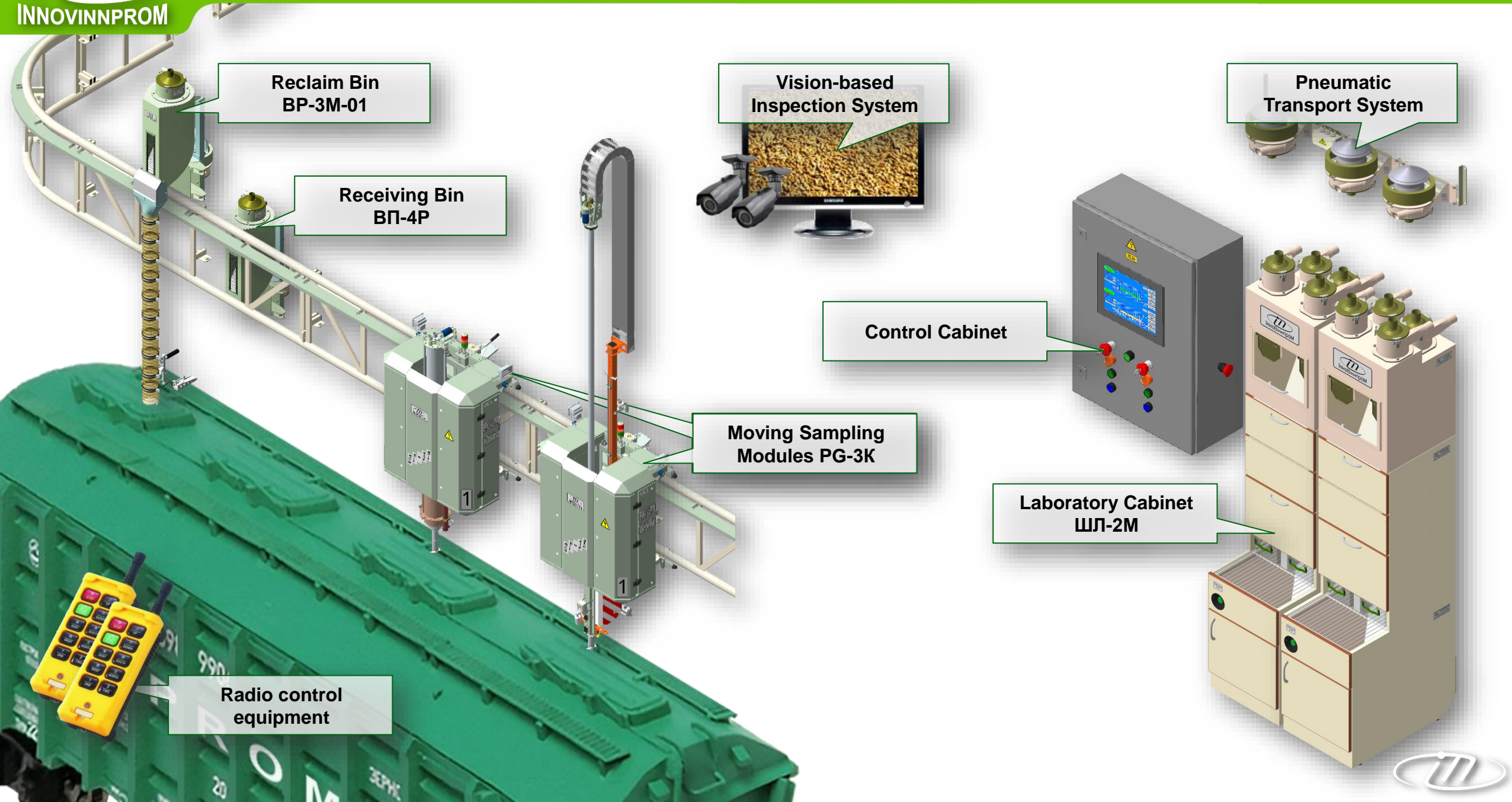
✓ **dimensions:**

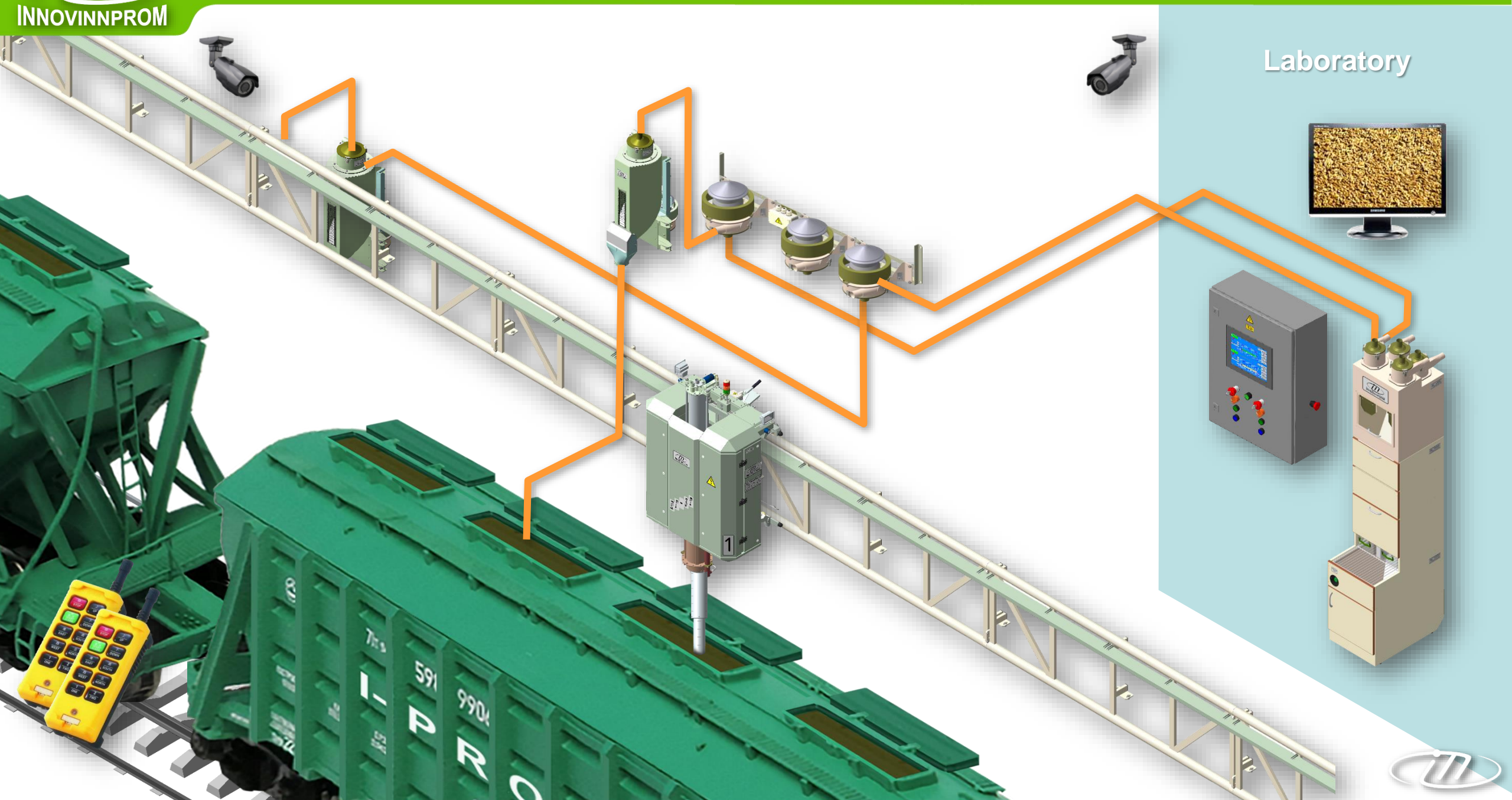
dimensions of the probe in a folded state – 1,7 m,
dimensions of the probe in the expanded state – 4,7 m,
operating stroke of the probe – 3,0 m.

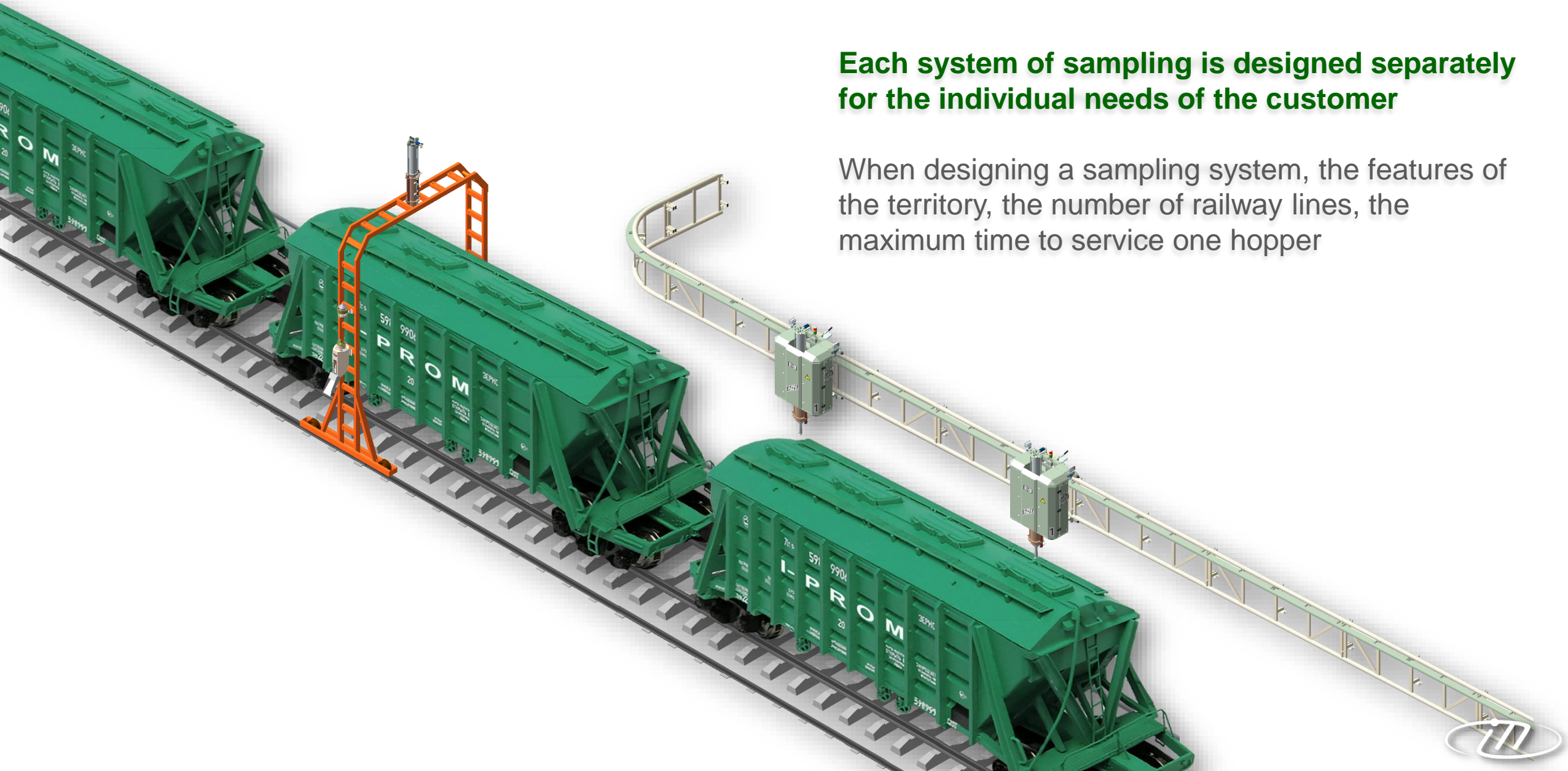
✓ **rotating drill**



SYSTEM COMPONENTS



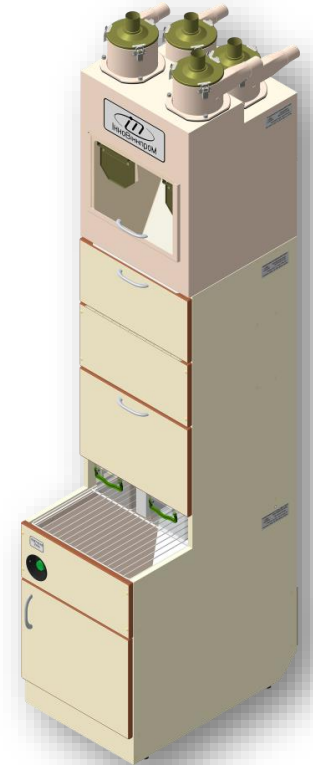
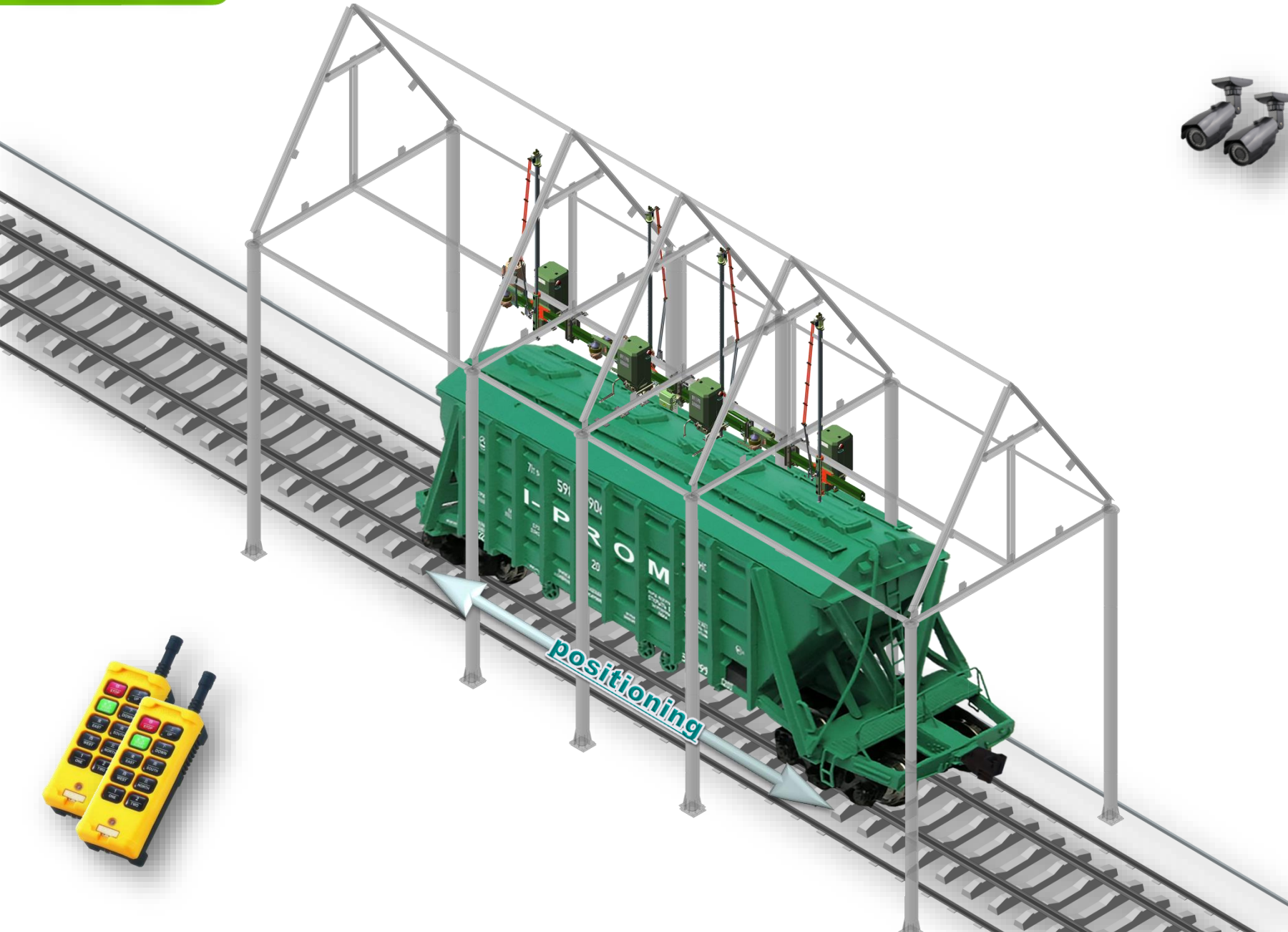




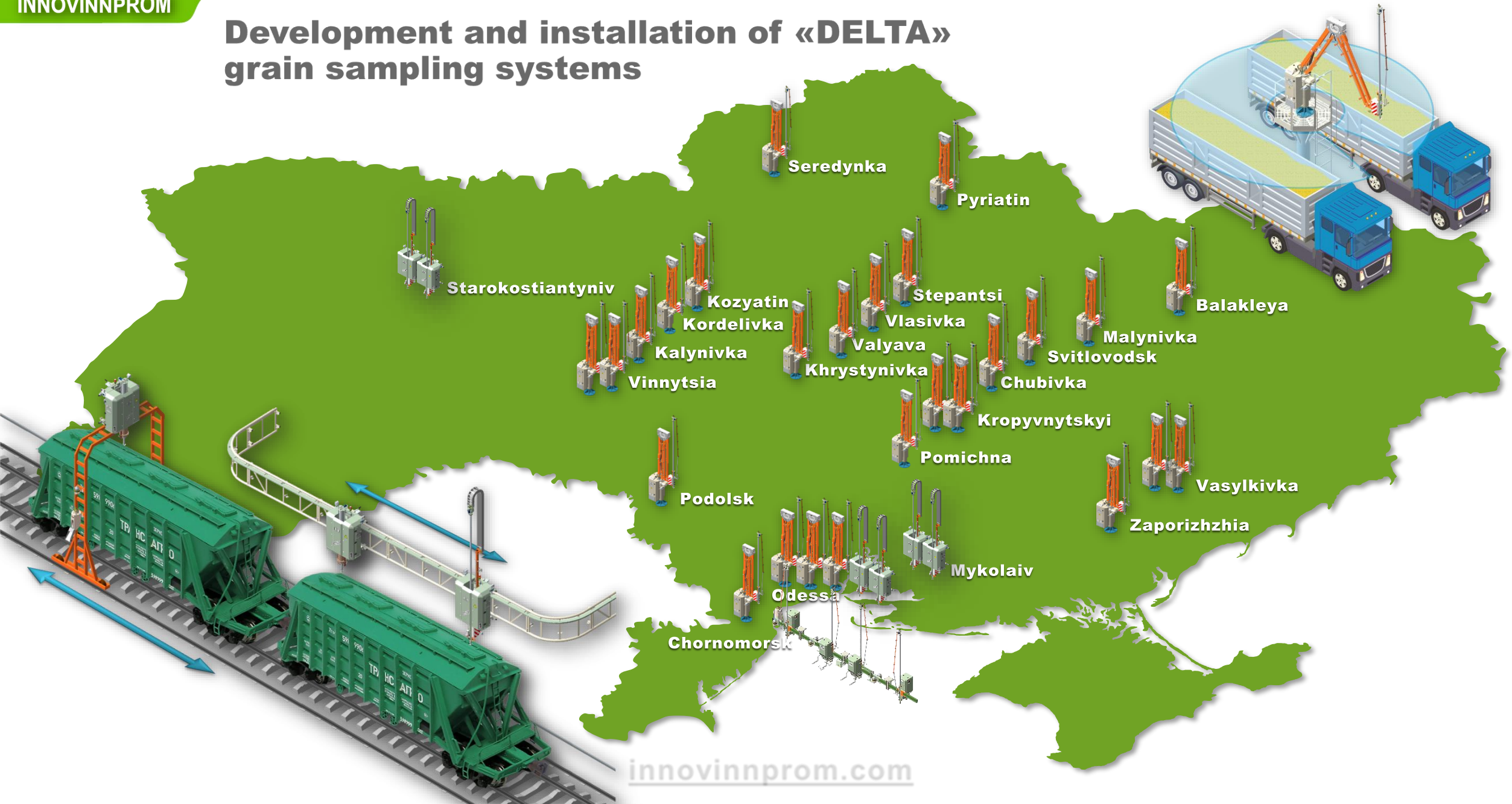
Each system of sampling is designed separately for the individual needs of the customer

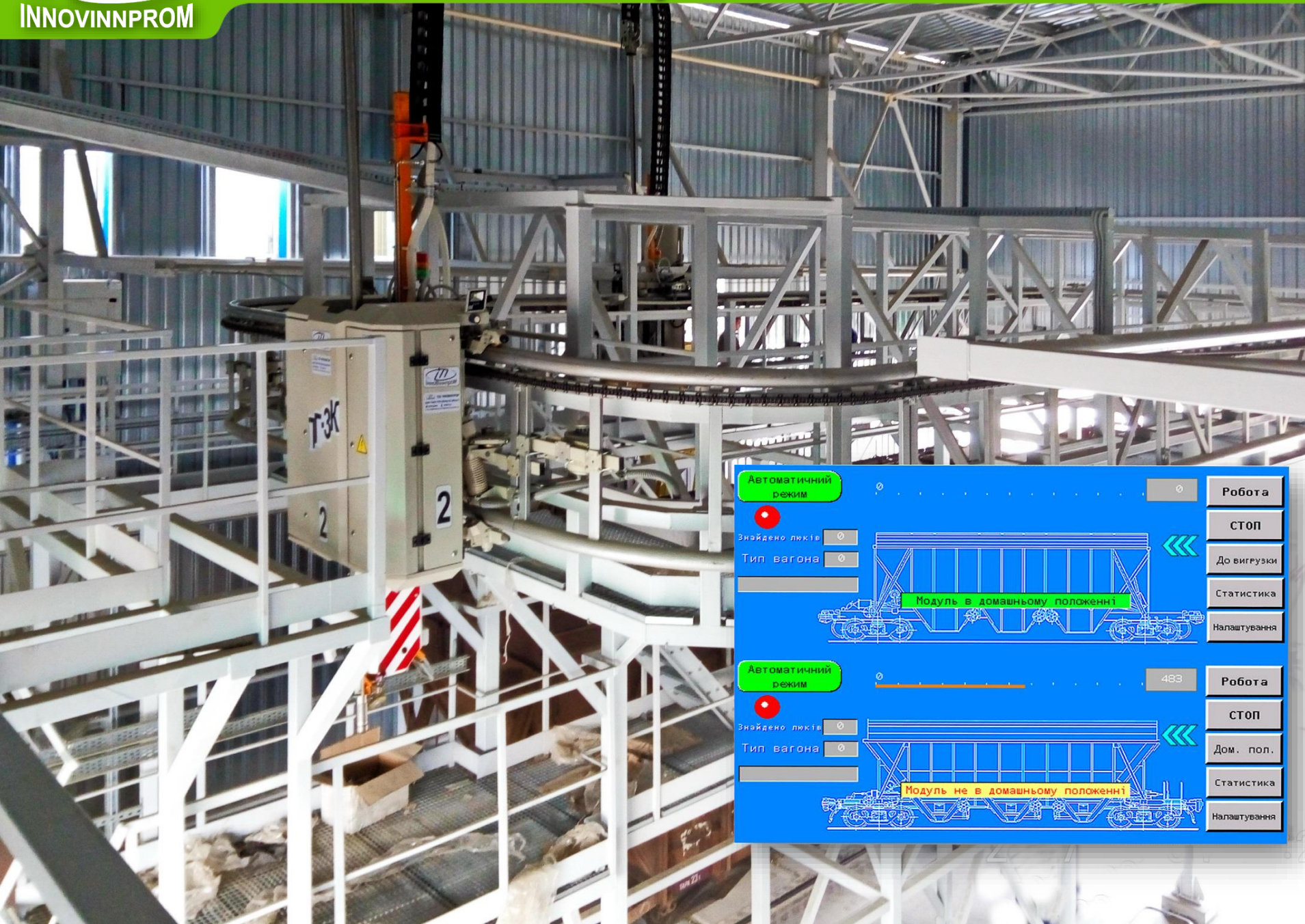
When designing a sampling system, the features of the territory, the number of railway lines, the maximum time to service one hopper





Development and installation of «DELTA» grain sampling systems

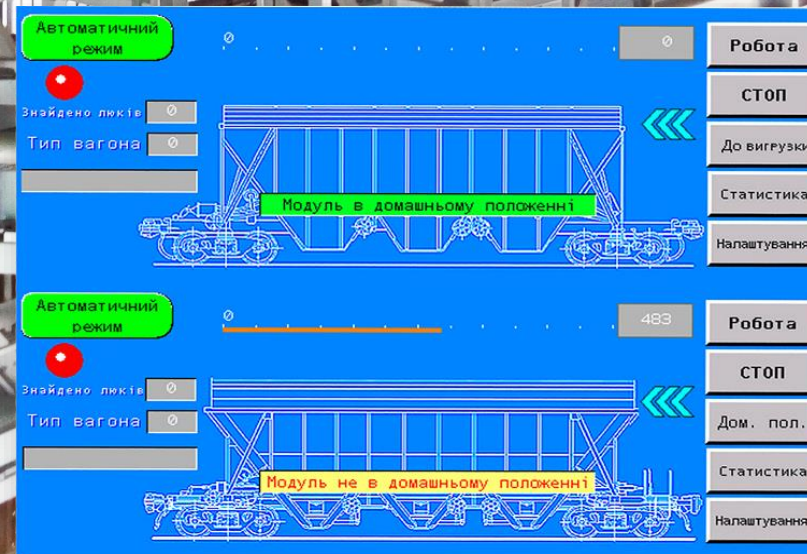




Port Grain Storage, Mykolaiv, Ukraine:

- ✓ two railway tracks;
- ✓ two mobile modules;
- ✓ fully automatic mode:
automatic hatch scan;
automatic sampling;
automatic sending of
samples to the
laboratory.

**Time of sampling from
one hopper – 3 minutes**



The control panel interface consists of two main sections, each representing a mobile module. Each section includes a status indicator (green for 'Automatic mode', red for 'Error'), a 'Знайдено локів' (Locals found) field, a 'Тип вагона' (Car type) field, and a central diagram of the module with a status message. The top section shows the module in its home position, while the bottom section shows it out of position. Both sections have a 'Робота' (Work) button and a 'СТОП' (Stop) button, along with 'До вивезки' (For export), 'Статистика' (Statistics), and 'Налаштування' (Settings) buttons.

Module Status	Mode	Locals Found	Car Type	Module Position	Buttons
Automatic mode	Робота			Модуль в домашньому положенні	СТОП, До вивезки, Статистика, Налаштування
Automatic mode	483			Модуль не в домашньому положенні	СТОП, Дом. пол., Статистика, Налаштування



Port Grain Storage, Chornomorsk, Ukraine:

- ✓ one railway tracks;
- ✓ four probe;
- ✓ manual mode.

**Time of sampling from
one hopper – 1 minute**



LTD INNOVINNPROM

14, Kyivska Str., Vinnytsya, Ukraine, 21100

tel/fax: +38(0432)-52-08-30

<https://innovinnprom.com/>
info@innovinnprom.com